



MELCO SUPREME

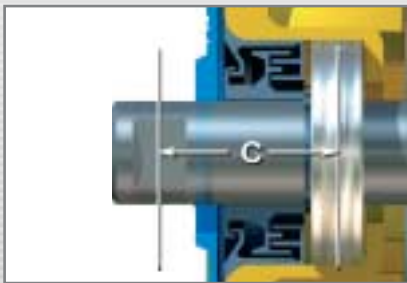
Heavy Duty Corrosion and Abrasion Resistant Roller

The Melco SUPREME boasts a wide range of superior advantages, features & benefits

- Steel tube ensures adequate mechanical strength for heavy duty loads
- Ultra thick abrasion and corrosion resistant 12mm thick HDPE sleeve
- HDPE contains carbon black increasing ultra violet resistance
- Steel and HDPE tube combination provides significantly reduced weight
- The bearing housing effectively locks the HDPE tube in position preventing movement along the steel tube
- Minimum "C dimension" decreases load induced shaft deflection
- Unique large diameter stoneguard with integral labyrinth design minimises possibility of being jammed by spilt material, and provides additional protection from water and dust
- Multi part labyrinth seal protects the bearing from ingress of contaminants
- Ultra low running resistance and break away mass reduces power consumption for start up and continuous operation
- Machined finish ensures LOW run-out, minimizing vibration and noise emission
- Castellated HDPE tube is a tight interference fit on the steel tube



Ultra thick abrasion and corrosion resistant 12mm HDPE sleeve.



Reduced "C" dimension decreases load induced shaft deflection.



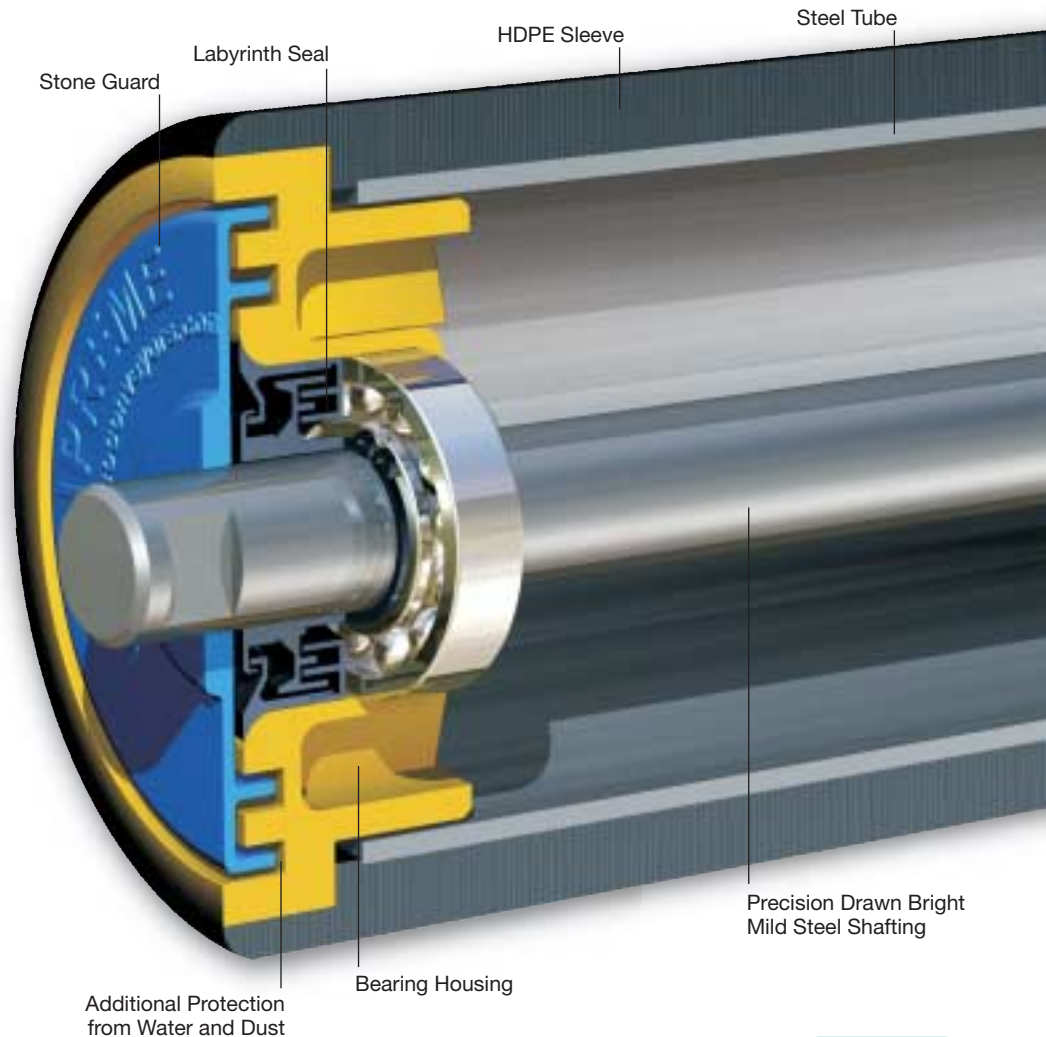
Web reinforced, sturdy polymer bearing housing, smaller diameter results in higher strength ratio.



Unique large diameter stoneguard with integral labyrinth design minimises possibility of being jammed by spilt material.



Melco's well-proven multi part Labyrinth seal.



Product range

127/133mm Diameter, 25mm shaft, 6205 and 6305 bearings
 152/159mm Diameter, 30mm shaft, 6306 bearing



Melco is a Member of the Rulmecca Group of Companies



MELCO SUPREME

Heavy Duty Corrosion and Abrasion Resistant Roller

Typical applications

- Mining – Platinum, Copper, Uranium, Iron Ore, Gold, Diamonds, Sand
- Coal Process Plants
- Coal Fired Power Stations
- Import/Export Terminals
- Belt scales
- Aluminium Smelters
- Steel Plants
- Fertilizer Plants



RULMECA GROUP - Worldwide organisation

www.rulmecca.com

Italy
RULLI RULMECA S.P.A.
Tel +39 035 4300 111
export@rulmecca.it
www.rulmecca.com

NEW Africa
South Africa
MELCO Conveyor Equipment
Tel +27 11 825 3520
conveyors@melco.co.za
www.melcoconveyors.com

Asia
China
RULMECA (TIANJIN) CO., LTD.
Tel +86-22-2388-8628
sales@rulmecca.com.cn
www.rulmecca.com.cn

Thailand
RULMECA THAILAND CO. LTD.
Tel +66 2 337 0297
th-sales@rulmecca.co.th

Europe
Denmark / Sweden
RULMECA A/S
Tel +45 36 776755
dk@rulmecca.com

Headquarters:
RULLI RULMECA S.P.A
Via A.Toscanini, 1
24011 ALME' (BG) Italy
Tel. +39 035 4300111
Fax +39 035 545700
export@rulmecca.it

France
PRECISMECA
Equipements de Manutention SA
Tel +33 3 88 71 58 00
info.france@rulmecca.com

Germany
RULMECA FAA GmbH
Tel +49 (0) 3473 956-0
faa@rulmecca.com
Germany
PRECISMECA-MONTAN GmbH
Tel +49 341 339 898 -0
vertrieb.le@precismeca.net
www.precismeca.net

Great Britain
RULMECA UK Ltd
Tel +44 1536 748525
uk@rulmecca.com

Portugal
RULMECA
DE PORTUGAL, LDA
Tel +351 275 330780
rulmecca@rulmecca-interroll.pt

Russia
RULMECA FAA GmbH
Büro Moskau:
Tel +7 495 132 3774
faamsk@com2com.ru

Spain
RULMECA ESPAÑA, S.L.
Tel +34 93 729 96 52
espana@rulmecca.com

North & South America

Canada
PRECISMECA LIMITED
Tel +1 780 955 2733
sales@precismeca.ab.ca
www.precismeca.ab.ca

USA
RULMECA Corporation
Tel +1-910-794-9294
www.rulmecacorp.com
mgawinski@rulmecacorp.com

Venezuela
INDUSTRIAS RULMECA S.A.
Tel +58-241-833.62.49
rulmecca@cantv.net

Your local Partner: