



TOP ROLLER

New thermoplastic roller

A light, strong, eco-friendly solution from Rulmecca

Rulmecca is proud to introduce the new TOP roller, a totally thermoplastic roller with the exception of the steel in the ball bearing and the shaft.

FEATURES AND BENEFITS:

- lower weight with respect to a steel roller (about 50%). That means:
 - lower power consumption during start/stop operation of the belt conveyor and therefore reduction of power requirements on the plant;
 - easier mounting/maintenance operations, preventing back injuries of the operator and guaranteeing a safer intervention, especially in application where roller mounting or replacement might be critical (suspended belt conveyor, difficult access, long conveyors...)
 - easier/cheaper transportation
- low level of abrasion and corrosion of the roller (wear resistant). That means:
 - longer life of the roller;
 - lower maintenance of the whole plant.
- belt friendly, since HDPE tube will not wear the belt
- high resistance to chemical agents. That means:
 - the roller will not rust
 - the roller is suitable for a wide variety of applications
- low noise emission (due to thermoplastic noise absorption)
- self-cleaning roller surface. That means:
 - prevention of build up of material, main cause of belt mis-tracking
 - less spillage from the belt
- low running resistance sealing system. That means:
 - lower motor torque need in conveyor starts
 - lower motor power size
 - reduction of energy consumption of the belt conveyor (added effect to that of the lower weight)
 - lower belt consumption



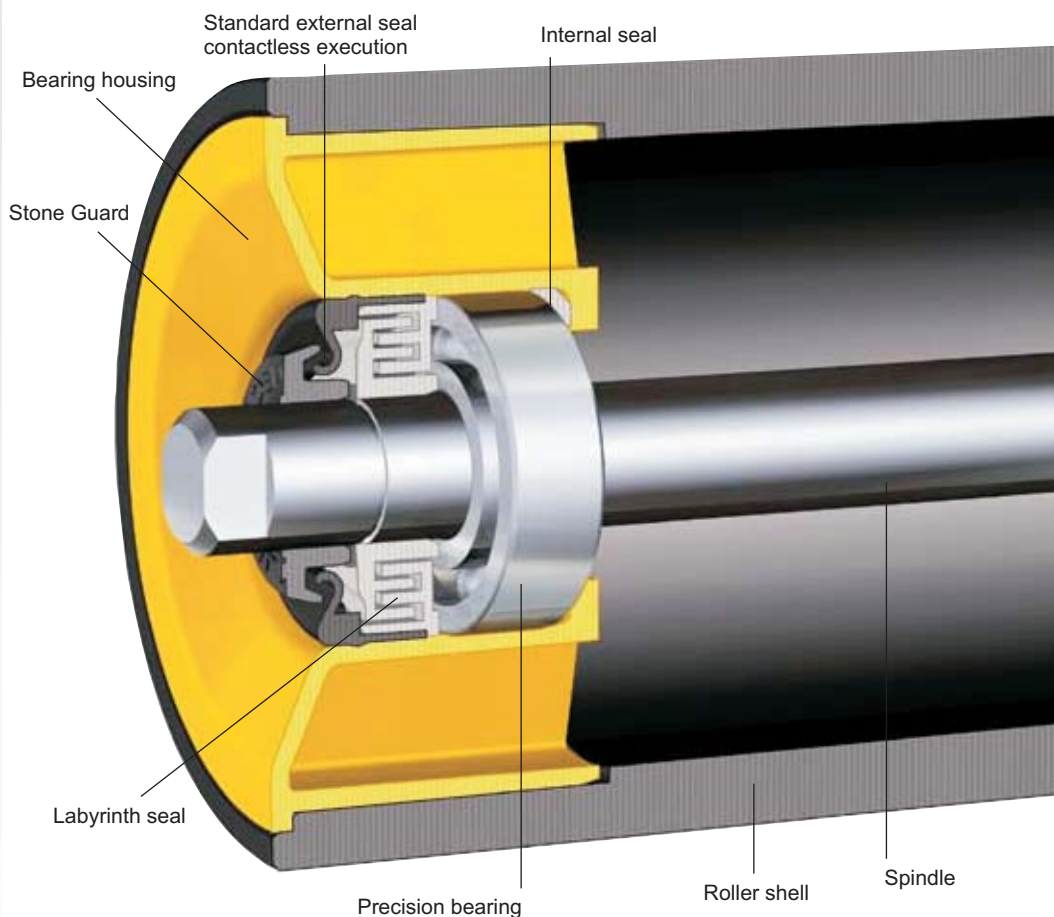
High Density Polyethylene (HDPE) tube, black colour, long fitting between the tube and the bearing housing



Bearing housing: Homopolymer Acetal Resin (POM), colour: yellow RAL 1018



Sealing system: optional hermetic execution





TOP ROLLER

New thermoplastic roller

A light, strong, eco-friendly solution from Rulmecca



FEATURES

Available types:

89 mm diameter, 20 mm shaft, 6204 bearings
 108 mm diameter, 20 mm shaft, 6204 bearings
 133 mm diameter, 20 mm shaft, 6204 bearings
 102 mm diameter, 25 mm shaft, 6205 bearings
 127 mm diameter, 25 mm shaft, 6205 bearings
 133 mm diameter, 25 mm shaft, 6205 bearings

Load capacity (**)	designed for light/medium duty applications
Sealing	Available in both hermetic and contactless execution, therefore guaranteeing excellent performance in presence of any kind of contaminant
<u>Material:</u> Tube Bearing Housing	High Density Polyethylene (HDPE) Homopolymer Acetal Resin (POM)
Working temperatures	-25°C,+50°C
Applications	Suitable for use in a wide variety of applications and products such as cement, coal, gravel, fertilisers, ports, chemicals and many others

(**) contact your local Rulmecca Company for information and updates

Rulmecca Group Headquarter:

RULLI RULMECCA S.P.A

Via A.Toscanini, 1
 24011 ALME' (BG) Italy
 Tel. +39 035 4300111
 Fax +39 035 545700
 export@rulmecca.it

COMPANY WITH QUALITY MANAGEMENT
 SYSTEM CERTIFIED BY DNV
 — ISO 9001:2008 —

www.rulmecca.com

Your local Partner:



ROLLKONS SIA • Gaismas iela 6-61 • Ķekava LV-2123

Tel.: 264 62 957 • Fakss: 676 21 428 • rollkons@apollo.lv • www.rollkons.lv